

iPoint®

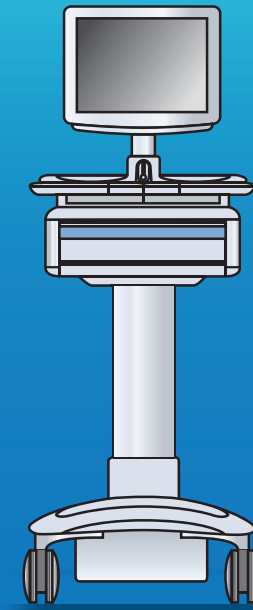
Intelligent Solutions for Point of Care



iPoint.1

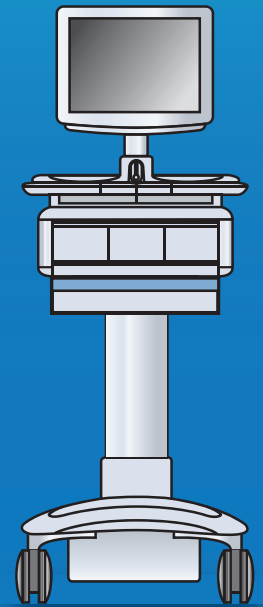


iPoint.3



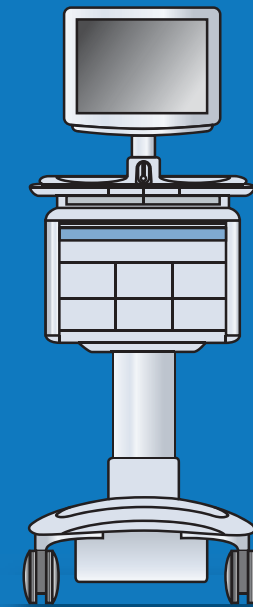
iPoint.1

1 storage drawer



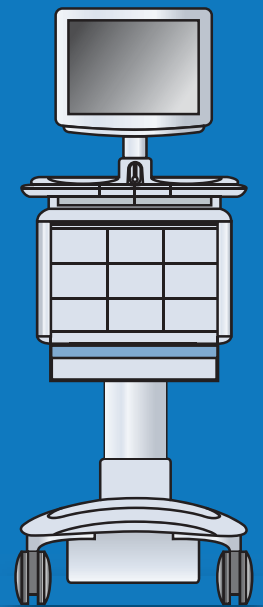
iPoint.1

3 patient drawers
1 accessory drawer



iPoint.3

1 storage drawer
6 patient drawers



iPoint.3

9 patient drawers
1 accessory drawer

iPoint Configurations*

Versatile iPoint can be configured with a variety of drawers* to adapt to each system application.

Lionville®

*Other cart configurations and med cart models are also available. Patient drawers are housed in removable cassettes for exchange systems.

t of Care

iPoint®... Mobile Technology Solutions

Choice of two models designed to support all software platforms and hardware technology options. iPoint functions as a compact workstation with or without locking drawers for patient medications.

Options include:

- Integrated Power Solutions
- Keyless Locking System
- Non-locking Models
- Storage Accessories



Pushbutton Height Adjustment raises/lowers the workspace to comfortable positions for computer data entry while standing or sitting.



Ergonomic Design features uncluttered work surface, keypad unlocking, articulating keyboard, and contoured handles for optimum maneuverability.



iPoint.3



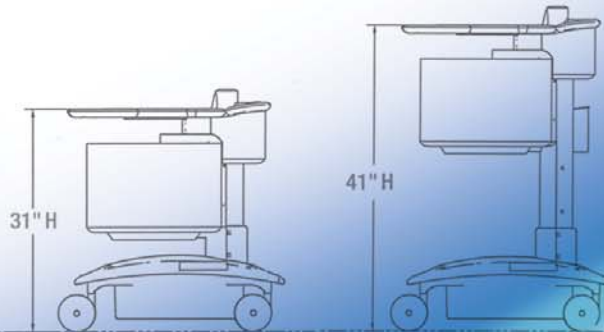
iPoint.1 with one storage tier is a compact workstation with limited drawer capacity – ideal for mobile computing.



iPoint.3 has three storage tiers for patient or storage drawers – combining meds and technology in a single cart.

IT, Nursing, and Pharmacy... designed to meet the requirements of mobile computing and bar code medication systems.

Lionville®



Lionville®
www.Lionville.com

501 Gunnard Carlson Drive | Coatesville, PA 19320 | Phone: 800.523.7114 | Fax: 610.423.4523

4/06 Rev 6/06

